

Furniture Catalogue
INTERIORS

AZVLIK | RESIDENCES
TULUM

TABLE OF
CONTENT

2. LIVING ROOM

Lounge Sofa
Coffe Table

4. DINNING ROOM

Dining Table X4
Dining Table X6
Dining Chair
Bar Stool

7. TERRACE

Lounge Chair
Center Table
Side Table
Planter - Fixture

10. BEDROOM

Trellis
Master Bed
Bedside table

13. BATHROOM

Vanity Single
Vanity Double

16. ROOFTOP

Outdoor Coffe
Table Set
Sun Lounger

INTERIORS | FF&E

LIVING ROOM



LIVING ROOM

AZULIK Design
Collection Seating
Collection Tables

MATERIALS

LOUNGE SOFA

Seat & Back | Cushion Fabric
Cod | Chartes Could Sunbrella
Body Finishes | Cumaru Wood



COFFEE TABLE

Top Table White |
Wood - Aggregate concrete
Base | Brushed Brass



MAINTENANCE

Clean with mild soap using sponge or cloth. Be gentle while cleaning, do not scrub aggressively the fabric. Once cleaned please make sure you remove soap excess. In case of aggressive stains, clean with diluted household bleach.

Clean stains promptly. The longer it remains, more difficult will be to remove.

We recommend treating the wood with sealer every three months, or more frequently in case of hotel and catering establishments.

GENERAL NOTES

The images shown are for the sole purpose of indicating design intent.

LOUNGE SOFA

cm | inch

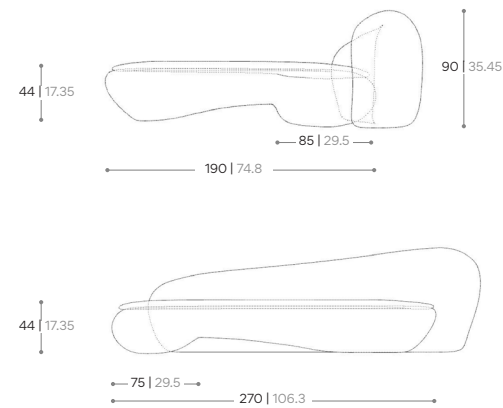
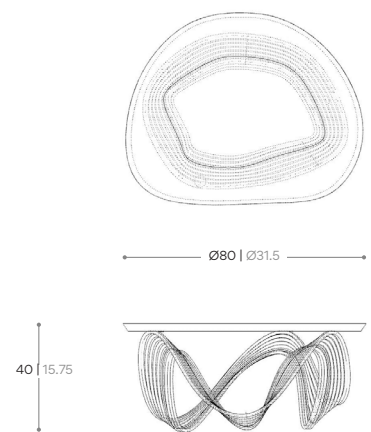


TABLE DINING X6



INTERIORS | FF&E

DINNING ROOM



DINNING ROOM

AZULIK Design
Collection Tables

MATERIALS

TABLE DINING

Top Table | Sealed Cumaru Wood



Body Finishes | Cumaru Wood



Leg Levelers | Brushed Brass



MAINTENANCE

We recommend treating the wood with sealer every three months, or more frequently in the case of hotel and catering establishment. To restore the teak to its original appearance, sand the entire surface and apply the sealer.

GENERAL NOTES

The images shown are for the sole purpose of indicating design intent.

TABLE DINING X4

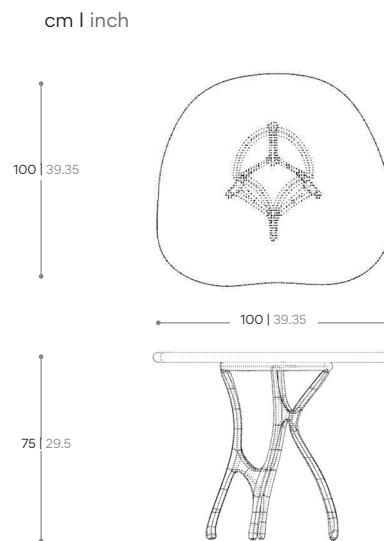
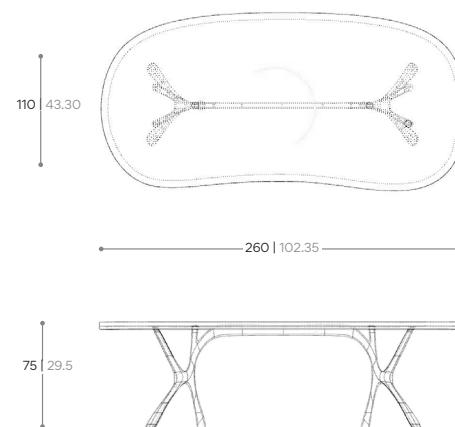


TABLE DINING X6



DINNING ROOM

AZULIK Design
Collection Seats

MATERIALS

DINING CHAIR

Fabric | Heavy Load 100.000 Cycles, Heavy Load Resistant 1000 Decitex, Kettalize-It, Resist UV En-581-4, Easy Clean, Abrasion Resistance 30.000 Cycles, Quickdry



Body Finishes | Bronze-Colored, Aluminum with bejuco weave

BAR STOOL

Body Finishes | Cumaru Wood



Footrest & Leg Levelers | Brushed Brass

MAINTENANCE

Clean with mild soap using sponge or cloth. Be gentle while cleaning, do not scrub aggressively the fabric. Once cleaned please make sure you remove soap excess. Clean stains promptly. The longer it remains, more difficult will be to remove.

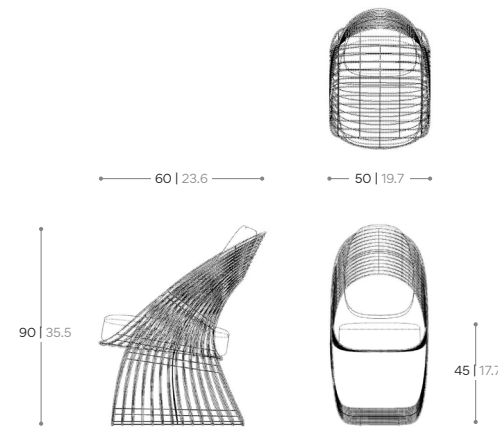
We recommend treating the wood with sealer every three months, or more frequently in case of hotel and catering establishments.

GENERAL NOTES

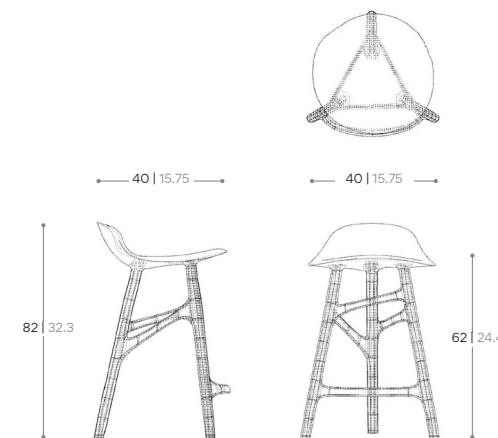
The images shown are for the sole purpose of indicating design intent.

DINNING CHAIR

cm | inch



BAR STOOL



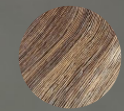


TERRACE

Planter - Fixture

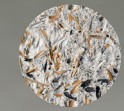
MATERIALS

Exterior Membrane



Interior

Gray concrete lightened with rice husk and husk ash.



Coconut fiber lightweight concrete.



MAINTENANCE

Exterior

Wipe with a damp cloth

Interior

Clean with a feather duster or vacuum cleaner.

Do not use water directly.

Dry clean only

INTERIORS | FF&E

TERRACE



TERRACE

AZULIK Design
Collection Outdoor Space

MATERIALS

LOUNGE CHAIR

Fabric | Heavy Load 100.000 Cycles, Heavy Load Resistant 1000 Decitex, Kettalize-It, Resist UV En-581-4, Easy Clean, Abrasion, Resistance 30.000 Cycles, Quickdry



Body Finishes | Bronze-Colored, Aluminum with bejuco weave

TABLE DINING

Top Table White | White concrete with pumice stone



Base | Brushed Brass

MAINTENANCE

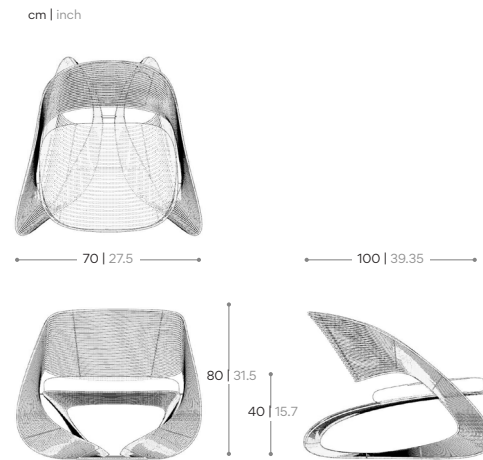
Lounge Chair.
Clean with mild soap using sponge or cloth. Be gentle while cleaning, do not scrub aggressively the fabric. Once cleaned please make sure you remove soap excess. Clean stains promptly. The longer it remains, more difficult will be to remove.

GENERAL NOTES

The images shown are for the sole purpose of indicating design intent.

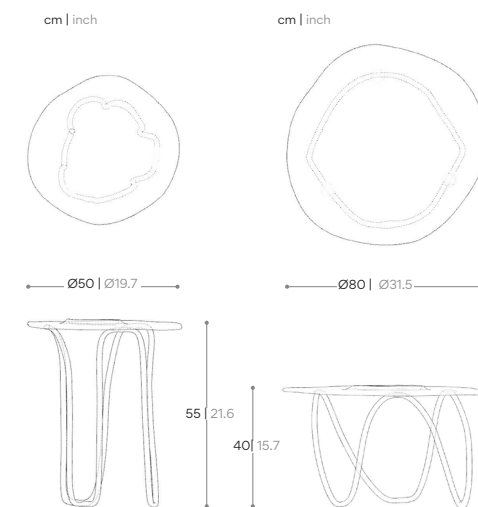
DINNING CHAIR

LOUNGE CHAIR



SIDE TABLE

CENTER TABLE



INTERIORS | FF&E

BEDROOM



BEDROOM

AZULIK Design
Collection Sweet Dreams

MATERIALS

MASTER BED

Base Finishes | Wood with bejuco weave



BEDSIDE TABLE

Cover & Body Finishes | Cumaru Wood



Leg Levelers | Brushed Brass



MAINTENANCE

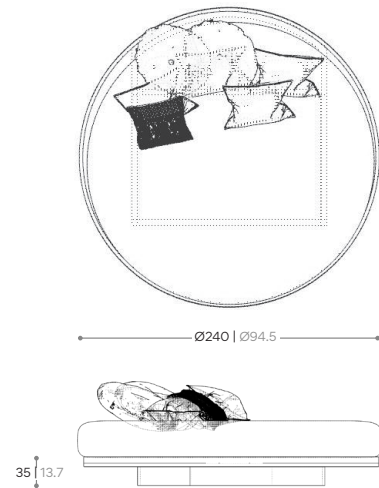
We recommend treating the wood with sealer every six months, or more frequently in the case of hotel and catering establishments.

GENERAL NOTES

The images shown are for the sole purpose of indicating design intent.

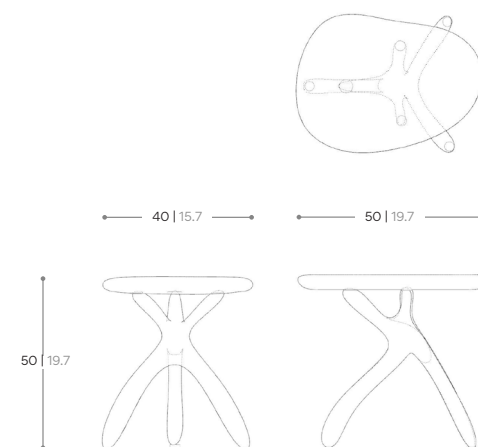
MASTER BED

cm | inch



BEDSIDE TABLE

cm | inch



BEDROOM

Trellis

MATERIALS

Dividing trellis between
bedroom and living area.

Exterior

Brass-finished
Aluminium

Interior

Bio-textile made from
organic materials.



MAINTENANCE

Clean with a feather
duster or vacuum cleaner.

Do not use water directly.
Dry clean only.

We recommend treating the
biotextil with oil
every six months, or more
frequently in the case of
establishments.



BATHROOM

AZULIK Design
Collection Shower

MATERIALS

SHOWER TRAY

Base finishes | Wall moldings, Polished sealed concrete



Floor | Washed concrete, Anti-slip



MAINTENANCE

We recommend sealing every half year.
Do not clean with abrasives.

GENERAL NOTES

The images shown are for the sole purpose
of **indicating design intent.**



INTERIORS | FF&E

BATHROOM



BATHROOM

AZULIK Design
Collection Vanity

MATERIALS

VANITY SINGLE

Base Finishes | Polished Sealed Concrete
Backlit Mirror

VANITY DOUBLE

Base Finishes | Polished Sealed Concrete



Backlit Mirror



MAINTENANCE

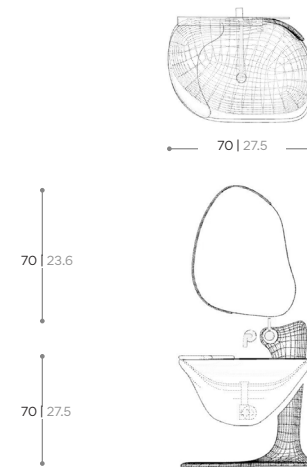
We recommend sealing every half year.
Do not clean with abrasives.

GENERAL NOTES

The images shown are for the sole purpose
of indicating design intent.

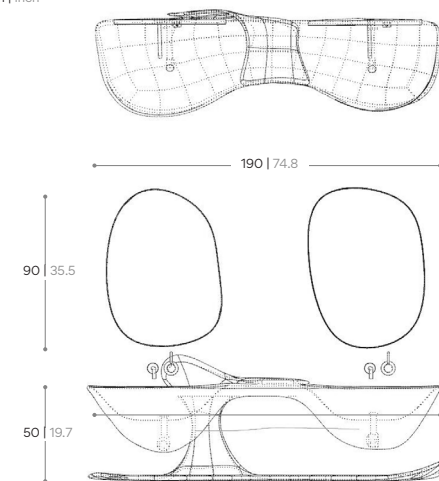
VANITY SIGLE

cm | inch



VANITY DOBLE

cm | inch



INTERIORS | FF&E

ROOFTOP



ROOFTOP

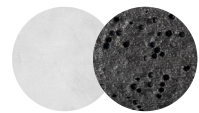
AZULIK Design
Collection Outdoor Space

MATERIALS

OUTDOOR COFFE TABLE SET

Base Finishes | Polished Sealed Concrete

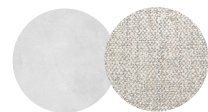
Cover | Dark Lightweight Concrete



SUN LOUNGER

Base Finishes | Polished Sealed Concrete

Fabric | Heavy Load, 100.000 Cycles, Heavy Load Resistant 1000 Decitex, Kettalize-It, Resist UV En-581-4, Easy Clean, Abrasion Resistance 30.000 Cycles, Quickdry.



MAINTENANCE

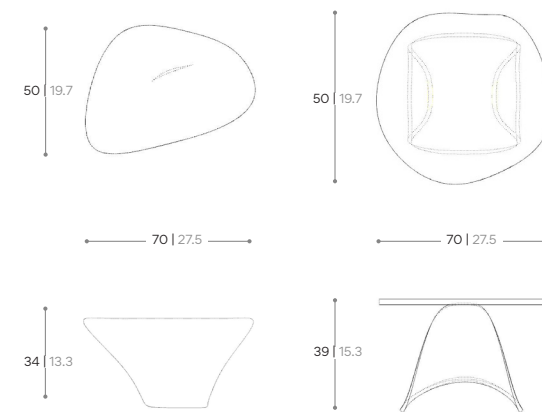
We recommend sealing every half year.
Do not clean with abrasives.

GENERAL NOTES

The images shown are for the sole purpose of indicating design intent.

OUTDOOR COFFEE TABLE SET

cm | inch



SUN LOUNGER

cm | inch

